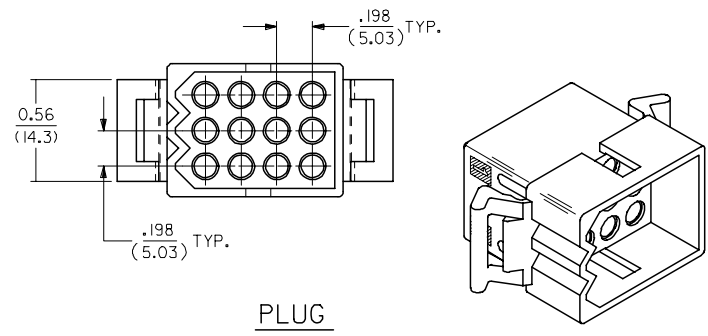
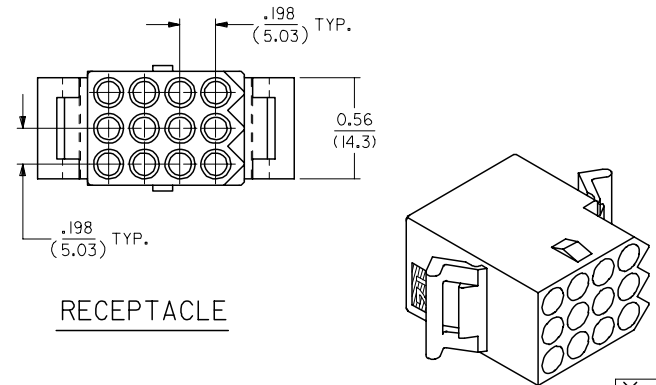
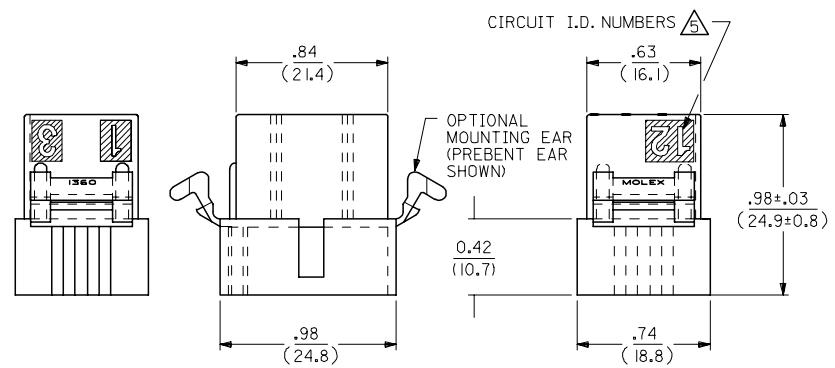
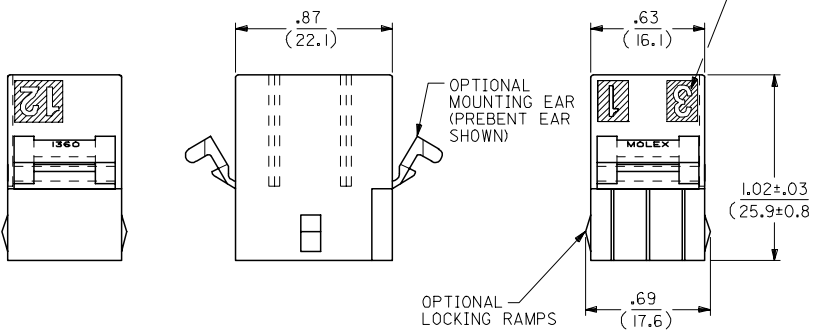
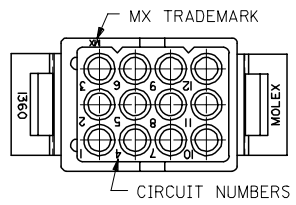
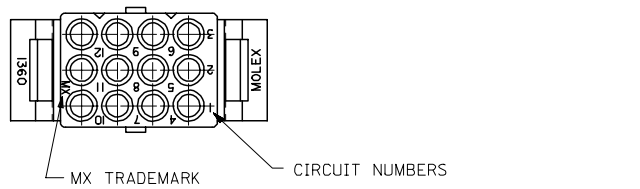


13 12 11 10 9 8 7 6 5 4 3 2 1

J  
I  
H  
G  
F  
E  
D  
C  
B  
A

J  
I  
H  
G  
F  
E  
D  
C  
B  
A



2	AE1
1	AE1
SHT/REV	

UPDATE TITLE BLOCK EC. NO. UCP2006-0080 DRAWN: JLOME CHKD: 2005/07/20 APPR: FSM TH 2005/07/21 DESCRIPTION	QUALITY SYMBOLS	GENERAL TOLERANCES (UNLESS SPECIFIED) <table border="1"> <tr><th>mm</th><th>INCH</th></tr> <tr><td>4 PLACES ± .005</td><td>± .005</td></tr> <tr><td>3 PLACES ± .010</td><td>± .010</td></tr> <tr><td>2 PLACES ± 0.25</td><td>± .014</td></tr> <tr><td>1 PLACE ± 0.35</td><td>± .014</td></tr> </table> ANGULAR ± 2 °	mm	INCH	4 PLACES ± .005	± .005	3 PLACES ± .010	± .010	2 PLACES ± 0.25	± .014	1 PLACE ± 0.35	± .014	DIMENSION STYLE IN/MM	SCALE 2:1	DESIGN UNITS INCH	THIRD ANGLE PROJECTION
	mm		INCH													
	4 PLACES ± .005		± .005													
	3 PLACES ± .010		± .010													
2 PLACES ± 0.25	± .014															
1 PLACE ± 0.35	± .014															
DRAWN BY KBW	DATE 3/1/89	TITLE .093/(2.36) HOUSINGS PLUG AND RECEPTACLE 12 CKT, .198/(5.03)CTR.	MATERIAL NO. RAS	DOCUMENT NO. SD-1360-*	SHEET NO. 1 OF 2											
CHECKED BY RW	DATE 3/1/89	APPROVED BY RAS	DATE 3/1/89	MOLEX INCORPORATED												
DRAFT WHERE APPLICABLE MUST REMAIN WITHIN DIMENSIONS	SEE CHART	THIS DRAWING CONTAINS INFORMATION THAT IS PROPRIETARY TO MOLEX INCORPORATED AND SHOULD NOT BE USED WITHOUT WRITTEN PERMISSION														

12 11 10 9 8 7 6 5 4 3 2 1

13 12 11 10 9 8 7 6 5 4 3 2 1

PLUG		
ORDER NO	ENG NO	
03-09-2121	I360-P	
03-09-2122	I360-P1	
03-09-7121	I360-PBK	
03-09-7122	I360-P1BK	OBSOLETE

RECEPTACLE	
ORDER NO	ENG NO
03-09-1121	I360-R
03-09-1122	I360-R1
03-09-1125	I360-R2
03-09-1126	I360-R3
03-09-6121	I360-RBK
03-09-6122	I360-R1BK
03-09-6125	I360-R2BK
03-09-6126	I360-R3BK
03-09-6123	I360-R1RD
03-09-6124	I360-R1YW

**LEGEND: PLUG**

I360-P\*\*\*

P = PLUG

BLANK = WITHOUT EARS

I = WITH MOUNTING EARS

COLOR:

BLANK = NATURAL COLOR

AM = AMBER BK = BLACK BU = BLUE

BN = BROWN GY = GRAY GN = GREEN

OR = ORANGE RD = RED YW = YELLOW

**LEGEND: RECEPTACLE**

I360-R\*\*\*

R = RECEPTACLE

BLANK = WITH PREBENT EARS ONLY

1 = WITHOUT EARS/WITHOUT LOCKING RAMP

2 = WITH PREBENT EARS & LOCKING RAMP

3 = WITH LOCKING RAMP ONLY

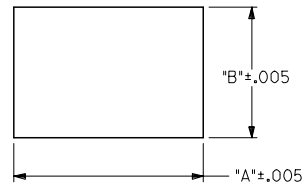
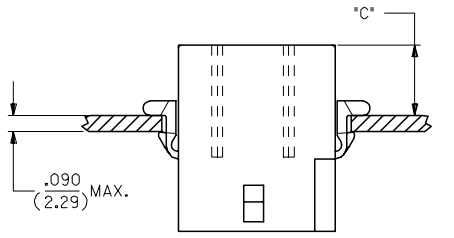
COLOR:

BLANK = NATURAL COLOR

AM = AMBER BK = BLACK BU = BLUE

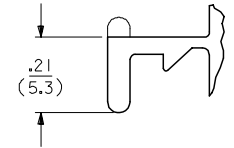
BN = BROWN GY = GRAY GN = GREEN

OR = ORANGE RD = RED YW = YELLOW

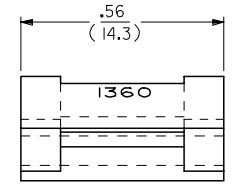


RECOMMENDED PANEL OPENING

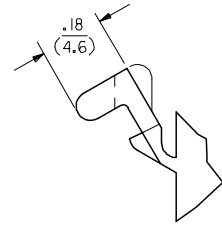
HOUSING	DIM. 'A'	DIM. 'B'	'C' PREBENT EAR	'C' STANDARD EAR
PLUG	1.155/(29.34)	.760/(19.30)	.40/(10.2)	.36/(9.1)
RECEPT.	1.050/(26.67)	.725/(18.42)	.41/(10.4)	.37/(9.4)



DETAIL A  
.093/(2.36) STANDARD MOUNTING EAR  
(SCALE 4:1)



DETAIL B  
.093/(2.36)PREBENT MOUNTING EAR  
(SCALE 4:1)



- NOTES:
- MATERIAL: NYLON TYPE 6/6, UL94V-2
  - FINISH: N/A
  - PRODUCT SPECIFICATION: PS-02-09, PS-43660-9999
  - PACKAGING SPECIFICATION: PK-1360-001

- CIRCUIT I.D. NUMBERS ON SIDE OF HOUSING APPEAR ON PARTS FROM TOOLS BUILT AFTER 10/22/91
- WHERE DENOTED IN CHART, TOOLS ARE BUILT WITH PREBENT MOUNTING EARS PER DETAIL B AND SUPERSEDE ALL TOOLS PREVIOUSLY BUILT WITH THE STANDARD EARS.

UPDATE TITLE BLOCK EC NO: UCP2006-0080 DRWN: JLOME CHKD: 2005/07/20 APPR: FSM TH 2005/07/21 REVISIONS A1	QUALITY SYMBOLS = 0 = 0	GENERAL TOLERANCES (UNLESS SPECIFIED)		DIMENSION STYLE IN/MM		SCALE 2:1	DESIGN UNITS INCH	THIRD ANGLE PROJECTION
		4 PLACES ± .010 ± .010	DRAWN BY KBW	DATE 3/1/89	TITLE .093/(2.36) HOUSINGS PLUG AND RECEPTACLE 12 CKT, .198/(5.03)CTR.			
		3 PLACES ± .010 ± .014	CHECKED BY RW	DATE 3/1/89	MOLEX INCORPORATED			
		2 PLACES ± 0.25 ± .014 1 PLACE ± 0.35 ± .014 ANGULAR ± 2 °	APPROVED BY RAS	DATE 3/1/89	MATERIAL NO. SD-1360-* DOCUMENT NO. 2 OF 2			
DRAFT WHERE APPLICABLE MUST REMAIN WITHIN DIMENSIONS		SEE CHART		THIS DRAWING CONTAINS INFORMATION THAT IS PROPRIETARY TO MOLEX INCORPORATED AND SHOULD NOT BE USED WITHOUT WRITTEN PERMISSION		SHEET NO. 2 OF 2		

12 11 10 9 8 7 6 5 4 3 2 1